



## The Innsbrook Direct-Vent & Vent-Free Fireplace Insert Systems

Innsbrook 35,000 Btu Direct-Vent Fireplace Insert shown with optional Contemporary Style metal surround.



White Mountain Hearth – The Pinnacle of Efficiency

# The Innsbrook Series



*Innsbrook 25,000 Btu Direct-Vent Fireplace Insert shown with optional three-inch Contemporary Style metal surround and Universal Metal Shroud.*

# innsbrook

## Innsbrook by Empire Comfort Systems

An Innsbrook Direct-Vent or Vent-Free Insert turns your existing wood-burning fireplace into an efficient gas-fired heat source.

A wood-burning fireplace sends more than half of its heat up the flue, creating negative pressure in your home, which draws in outside air through gaps in doors and windows that actually makes your home colder. A wood-fire can also create ash and fumes that dirty your home and aggravate your allergies.

### Direct-Vent or Vent-Free

Both the Direct-Vent and the Vent-Free Innsbrook are classified as zone heating appliances. Zone heating is inherently more efficient than your existing wood-burning fireplace or your central furnace. Unlike a central furnace, which wastes 20 to 30 percent of the heat energy through ductwork losses and sends much of the remaining heat to unoccupied rooms, zone heating creates and transmits the heat directly into the room. This lets you turn down your whole-house thermostat and use your fireplace insert to efficiently warm the room you use most.

We offer inserts in Direct-Vent and Vent-Free models.

The Innsbrook Direct-Vent insert uses readily available 3-inch flexible co-linear vent pipes. One draws air from outside your home, and the other sends flue products directly outdoors. The flexible metal venting allows the insert to install easily in a site-built or manufactured fireplace.

A Direct-Vent system eliminates pressure imbalances in the home that can cause drafts that reduce the effectiveness of heating. At up to 77% AFUE, the Innsbrook Direct-Vent Insert makes a great heat source for any room in your home.

At 28,000 Btu, the Vent-Free Innsbrook is 99.9% efficient, for fast room warming on cold days. The Vent-Free Insert features an integrated Oxygen Depletion Sensor (ODS) to instantly shut off the burner if oxygen levels drop to unsafe levels. The Innsbrook Vent-Free Insert is available in both Millivolt and Hydraulic Valve models.

Vent-free technology is simple to install (because it eliminates the venting entirely) and has proven safe in more than 40 years of in-home use. Vent-Free appliances are designed for supplemental heating, which means they must be operated in conjunction with a central furnace. This Vent-Free Insert may not be installed in bedrooms or bathrooms.



*Innsbrook 28,000 Btu Vent-Free Fireplace Insert shown with optional six inch-Contemporary Style metal surround and Hammered Pewter Arch Louvers.*

## Standard Features

We offer the Direct-Vent Innsbrook in three sizes to fit most wood-burning fireplaces. The Vent-Free Innsbrook, which does not require clearance for installing venting, is available in one size – with similar box dimensions as the mid-size Direct-Vent insert – to fit a broad range of existing fireplace openings.

Hand-painted ceramic fiber logs, nestled atop the variable flame height burner, combine to create an exceptionally attractive fireplace. With inputs of 25,000 Btu, 33,000 Btu, and 35,000 Btu, the Direct-Vent insert's unique stainless steel Slope Glaze Flair Burner produces natural flickering flames that dance and delight – warming your heart as it warms your soles.



### All metal construction for outstanding durability



## Options & Accessories

Your new Innsbrook insert will require a surround kit to conceal the original fireplace opening. Choose an old-world style three-piece cast iron surround with rich details at the corners, keystone, and columns.

For a more contemporary feel, choose one of our steel surrounds with either 6-inch top and side panels or 6-inch top and 3-inch side panels. For installations where the insert does not rest on the hearth, we offer a 3/4-inch bottom cover to complete the surround.

To cover larger hearth openings, install the optional shroud. At 48 inches wide and 36 inches tall, it provides a clean transition between the surround and the existing fireplace. For installations where the insert does not rest on the hearth, we offer a 2-inch bottom cover to complete the shroud.

All our surrounds and shrouds are finished in matte black.



Optional Cast Iron Surround shown with 33,000 Btu Innsbrook Direct-Vent unit



6 x 6-inch Contemporary Style metal surround shown with 33,000 Btu Innsbrook Direct-Vent unit



6 x 3-inch Contemporary Style metal surround shown with 28,000 Btu Innsbrook Vent-Free unit



6 x 3-inch Contemporary Style metal surround and Universal Shroud shown with 33,000 Btu Innsbrook Direct-Vent unit



## Decorative Louvers

With four styles and four finishes from which to choose, our decorative louvers help create the perfect look for your fireplace insert.

Finishes include our rich matte black, contemporary hammered pewter, traditional polished brass, and modern stainless steel.



**Decorative Louver Arch**



**Decorative Louver Leaf**



**Decorative Louver Mission**

In addition to the traditional slat louvers, we offer a graceful Arched pattern, a geometric Mission pattern, and an elegant Leaf pattern.

All of our decorative louvers install in seconds without tools.

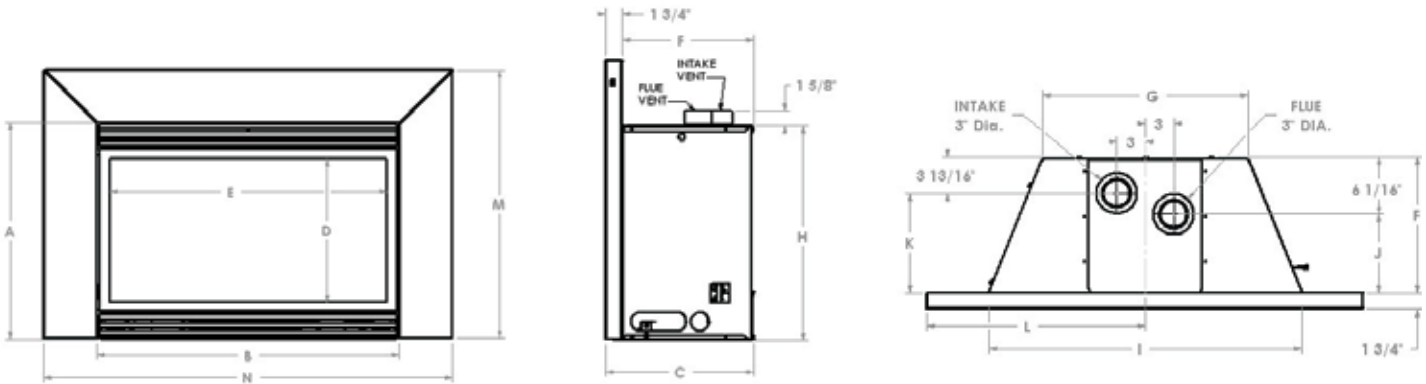
## Control Options

Lighting and managing a wood fire takes time and work – and more than a little patience to get it right. Your Innsbrook fireplace insert lights at the flick of a switch to produce consistent, reliable heat, even when electric power fails. Add the convenience of an optional thermostat, wireless wall thermostat, remote control, or thermostat remote control, and enjoy all the comfort of a warm cozy fire without the mess and hassle.



# Innsbrook Insert Dimensions

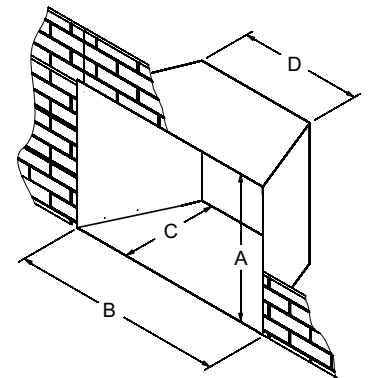
Model	A	B	C	D	E	F	G	H	I	J	K	L	M	N
DV25IN	19 3/4	28	14 1/2	11 1/8	25 1/4	12 3/4	17	18 5/16	27	6 3/4	9	20	25 5/8	40
DV33IN	22 3/4	31	16	14 1/8	28 1/4	14 1/4	18 3/4	21 5/16	30	8 1/4	10 1/2	21 1/2	28 5/8	43
DV35IN	24 3/4	34	16	16 1/8	31 1/4	14 1/4	21 3/4	23 5/16	33	8 1/4	10 1/2	23	30 5/8	46
VFP28IN	22 1/2	31	16 7/8	14 1/2	28 1/2	15 1/8	18	21 1/4	30	-	-	-	28 3/4	43



# Minimum Fireplace Opening Dimensions

Model	A	B	C	D
DV25IN	18 3/8	27 1/2	12 3/4	17 1/4
DV33IN	21 3/8	30 1/2	14 1/4	19
DV35IN	23 3/8	33 1/2	14 1/4	22
VFP28IN	21 3/8	30 1/2	14 1/4	19

\* Note: On Direct-Vent installations, if the fireplace lintel is wider than 8" (203 mm), the height of the fireplace opening must be increased a few inches to allow for a gradual offset in the exhaust and/or intake vent pipes.



Gas Inlet		Warranty
Type of Gas (State on Order)	Natural or LP	All vent-free parts carry a 5-year limited labor warranty. All vented parts carry a 3-year limited warranty.
Iron Pipe Size (N.P.T.)	1/2 inch	
Ignition System	Standing Pilot/Piezo	

Empire Comfort Systems is committed to continuous product improvement; specifications are subject to change without notice. Flame size, shape, and color will vary from photos.



918 Freeburg Ave.  
Belleville, IL 62222-0529  
E-mail: info@empirecomfort.com

Member of the following industry associations:



WMH-769 Rev B 8/09  
The Empire Comfort Systems and White Mountain Hearth names and logos are registered U.S. trademarks.